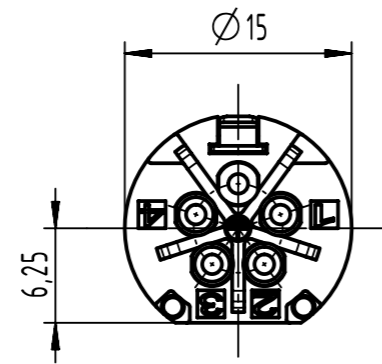
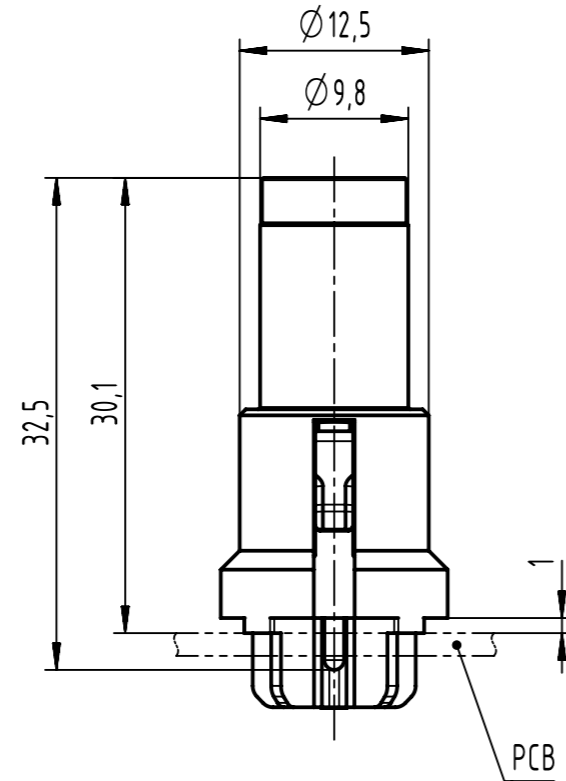
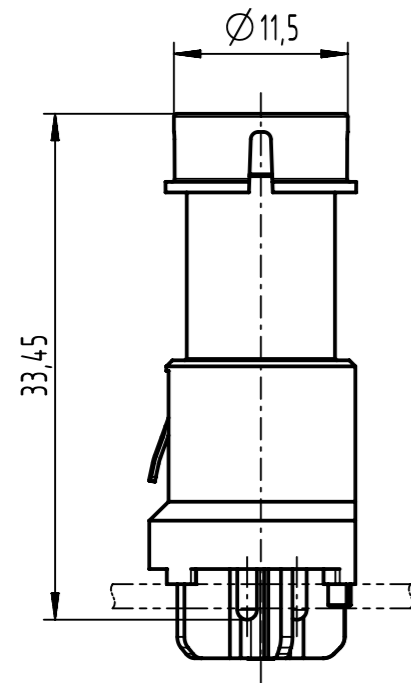


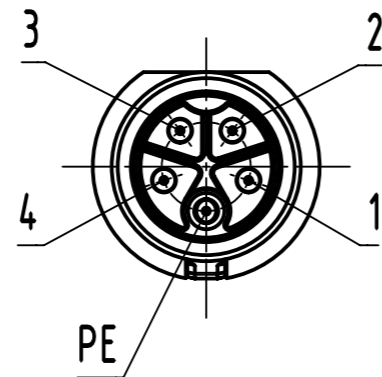
view without pick & place cap



A

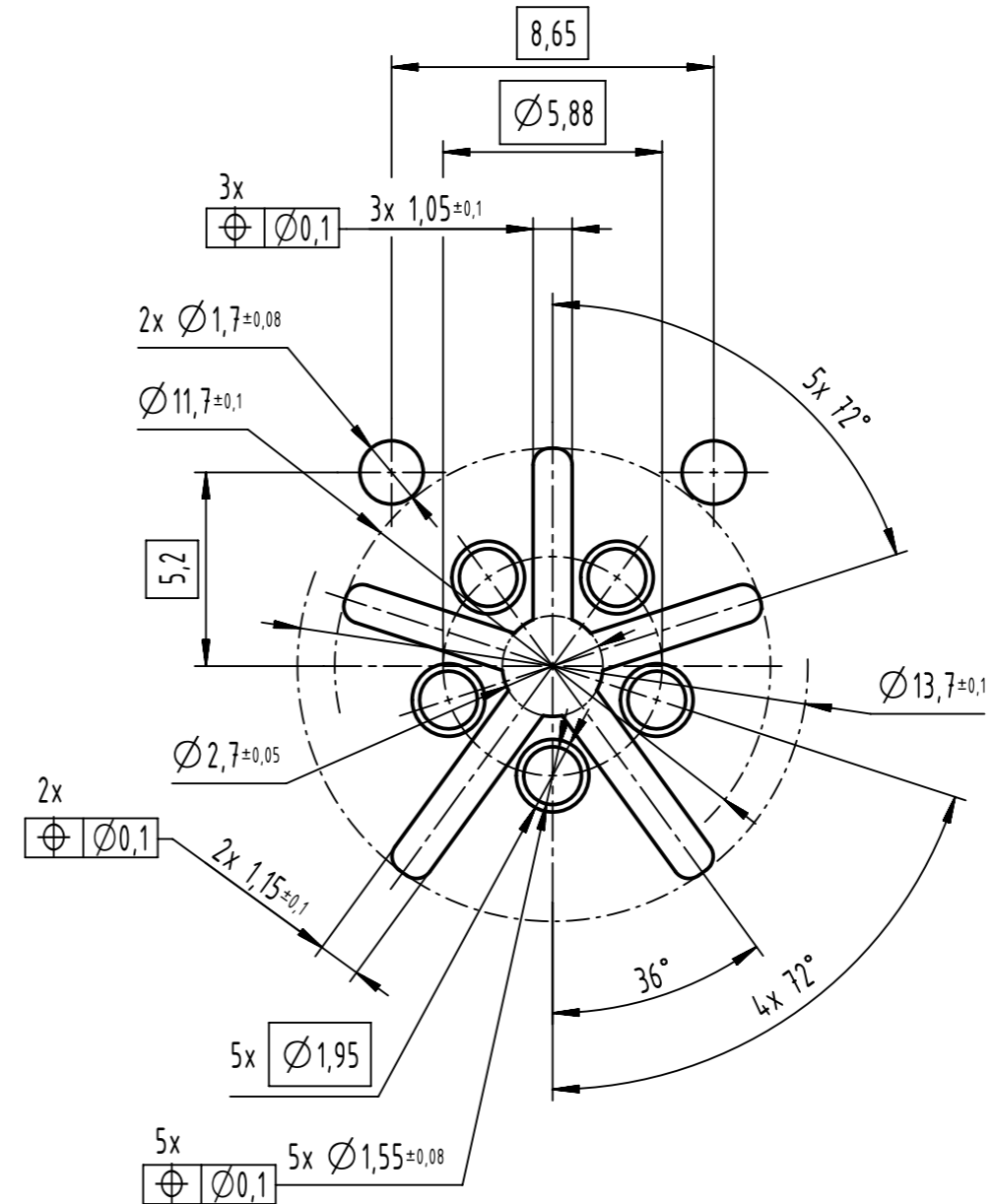


contact face based on
IEC 61076-2-111

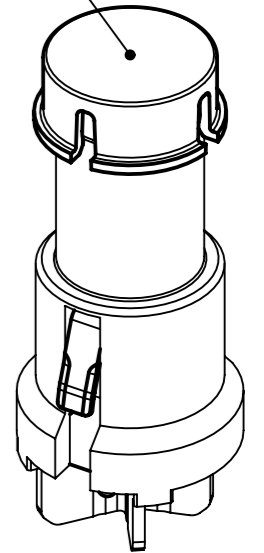


recommended PCB-layout

A (5:1)



pick & place cap



- recommended PCB: 1,6mm
- 60 pcs. tray package

	All rights reserved	Created by HASSE	Inspected by FRIESENH	Standardisation	Date 2021-11-05	State Final Release
	Department EL PD	Title M12-PCB-THR-2PC-5P-KCOD-M-STR-SHLD		Doc-Key / ECM-Nr. 100725668/UGD/006/F 50000205391		
HARTING D-32339 Espelkamp		Type TB	Number 21033091505		Rev. F	Page 1/1